



Wall and Ceiling Mount Bracket Installation Guide



Network Extender Business

PP_SAM_Network_Extender_BCNE8_75x105_V0_R2.indd 1

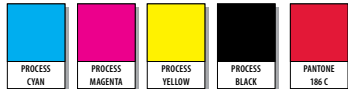
6/28/12 12:53 PM

Landor



Job Number 100041194	Project Prepaid (PP) GSG Network Extender	Client Verizon
File Name PP_SAM_Network_Extender_BCNE8_75x105_V0_R2.indd	Rev No. 0	Date 06/28/12
Description Prepaid Samsung Network Extender 75mm X 105mm		Produced By Mary Salazar
<small>THESE ARE CONCEPT IMAGES OR ILLUSTRATIONS THAT ARE COPYRIGHT PROTECTED. CLIENT MUST OBTAIN PROPER LICENSING AND CLEAR RIGHTS PRIOR TO REPRODUCTION. SUPPLIER IS RESPONSIBLE FOR CHECKING WORKING DRAWINGS BEFORE PLATES ARE MADE FOR ACCURACY IN MEASUREMENTS, PLATE TOLERANCE REQUIREMENTS, REGISTRATION AND CONSTRUCTION DETAILING. ANY CHANGES MADE TO SUIT PRODUCTION REQUIREMENTS SHOULD BE APPROVED BY BOTH THE CLIENT AND DESIGN DIRECTOR. ALL COPY CHOICES BE PROOFREAD BY CLIENT AND LEGAL REQUIREMENTS CHECKED BY CLIENT'S LEGAL DEPARTMENT.</small>		
Production	Proofreader	Client Services
		QC

Inks



This Proof Indicates Approximate Color Only. For Accurate Color Match, Use Approved Color Standard. DO NOT USE COLOR FORMULAS ON THIS FILE.

Content

Basics

Provides a description of what is in the installation box, an overview of your installation components, and a brief overview of the differences between the various installation and mounting options.

Installations

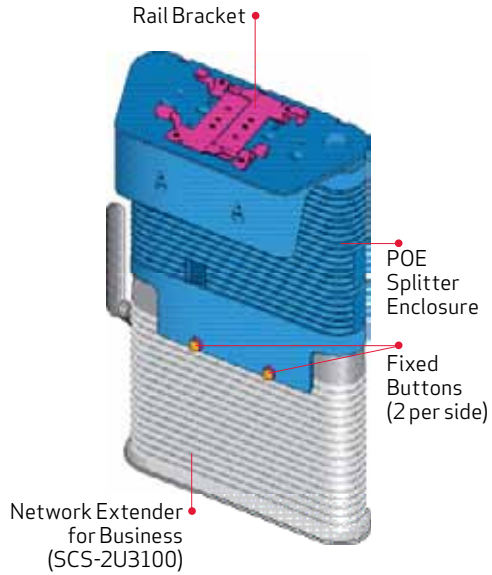
Describes the setup and installation procedures for all three available mounting options including: Floating Ceiling, Fixed Ceiling, and Wall Mounting.

Warning

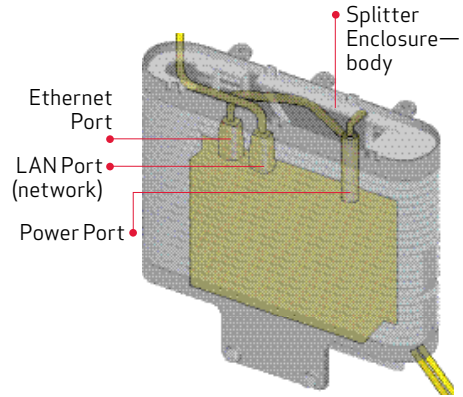
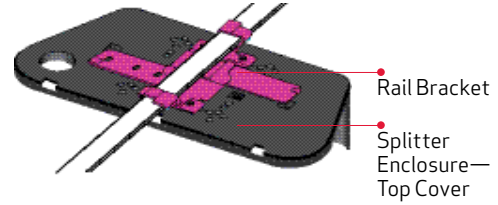
The Network Extender for Business should not be installed near fire or smoke sensors or detectors, or installed so as to block exit or other safety signs, fire or other emergency or warning lights, and the power cord cannot be tucked up into a floating ceiling. The customer is responsible for insuring that installation complies with all applicable building codes, and any other applicable laws, ordinances, rules and regulations.

Basics

Bracket Features



2



3

What's In the Box

1. Confirm the box contents:
 - (1) Enclosure ISG (Installation Guide)
 - (1) Rail Bracket
 - (1) POE Splitter Enclosure (Top Cover, and Housing)
 - (9) Securing Screws
 - (2) Drywall Screws
 - (2) Drywall Anchors
2. Remove them from the packaging and place them carefully nearby.

NOTE: There are a total of 9 Securing Screws: 2 are preassembled to Rail Bracket, 4 are used to assemble the Rail Bracket to Top Cover, and 3 to assemble the Top Cover to the enclosure.

The POE Splitter is not included in this installation kit and must be purchased separately. For more information, visit:

<http://global.level1.com/Home-Products/PoE-Powered-Device/PoE-Splitters/POS-4000/1165.html>

or

http://cptechusa.com/cpt/index.php?option=com_content&view=article&id=53&Itemid=58.

Installation

This section covers the installation procedures for all three available mounting scenarios:

- Floating Ceiling Bracket Mounting
- Fixed Ceiling Bracket Mounting
- Wall Bracket Mounting

Floating Ceiling Bracket Mounting

Confirm you have the following items:

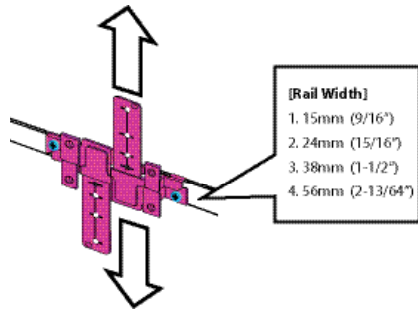
- Rail Bracket
- Splitter—Top Cover
- POE Splitter (not included)
- Splitter—Enclosure
- Securing Screws (4)
- Cables: LAN, Ethernet, and Power

NOTE: The following rail widths are supported: 15 mm (9/16"), 24 mm (15/16"), 38 mm (1-1/2"), and 56 mm (2-13/64").

In environments where there are ceiling tiles (Floating Ceilings) being supported by rails, use the Rail Bracket to support the installation of the POE Splitter Enclosure.

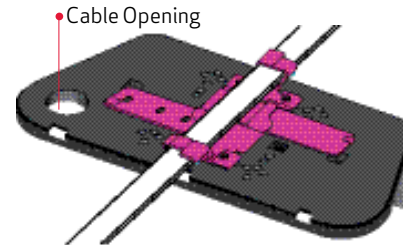
Rail and Bracket Installation

1. Locate the Rail Bracket.
2. Remove the four silver bracket Securing Screws from the areas above and below the measurement tongs.
3. Spread open the Rail Bracket to fit onto the rail.



6

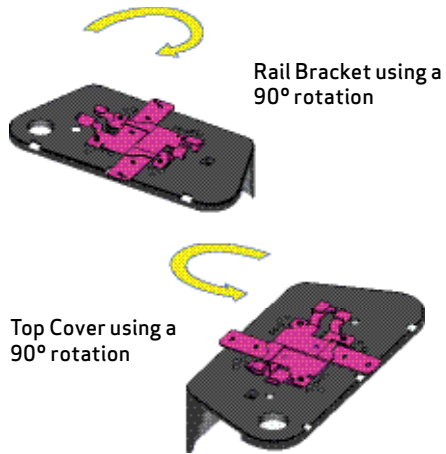
4. With the bracket placed securely on the rail, pull the bracket measurement tongs outwards to close the bracket onto the rail.
5. Tighten the rail screws (shown above) to fasten the bracket to the rail.
6. Align the Rail Bracket to the POE Splitter's Top Cover (orient the cable opening as shown).



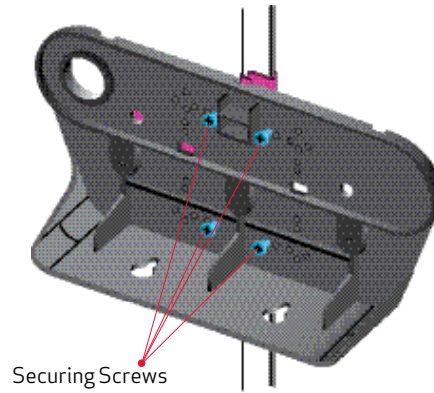
7. Align the screw holes between the Rail Bracket and Top Cover.

NOTE: Both the Top Cover and Rail Bracket can be rotated to accommodate for different installation orientations as seen in following image.

7



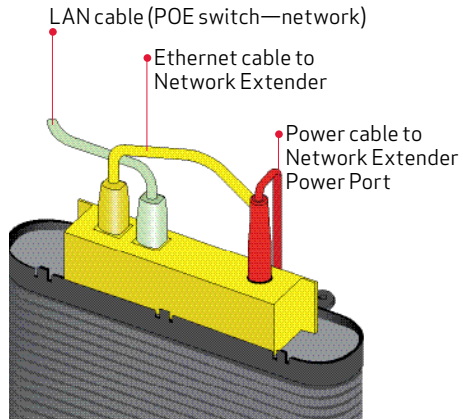
8. Insert and tighten the previously removed screws to fasten the bracket to the Top Cover.



9. Thread the LAN Ethernet cable (from your local network) through the cable opening on the Top Cover.

Enclosure and Cable Installation

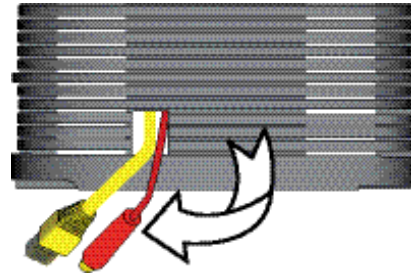
1. Connect all three cables to their corresponding port locations on the POE Splitter as shown.



NOTE: The LAN cable must originate from a POE port on a POE-compatible switch that can pass both power and data through the CAT cable.

10

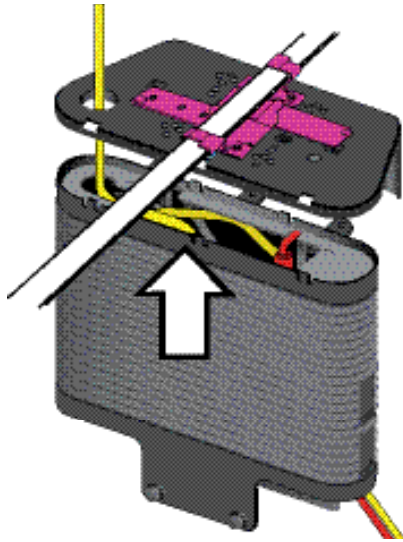
2. Thread the Ethernet cable and Power cable through the Housing and out the bottom cable opening.



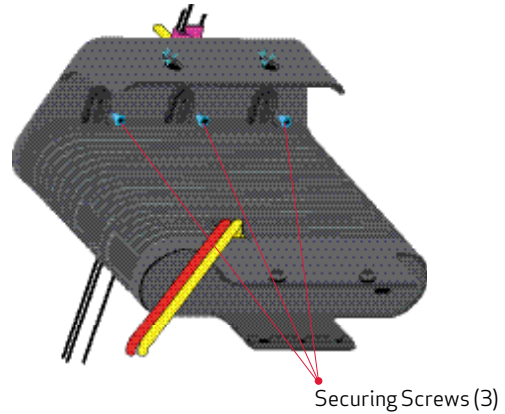
3. Insert the splitter component into the Housing.

11

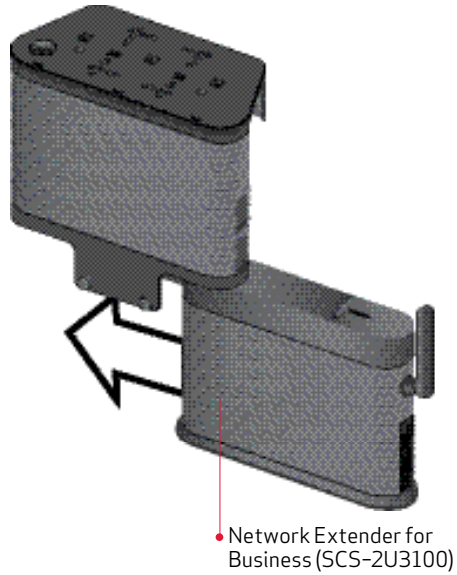
4. Assemble the POE Splitter to the Top Cover as shown.



5. Secure the Top Cover to the enclosure using the three Securing Screws.

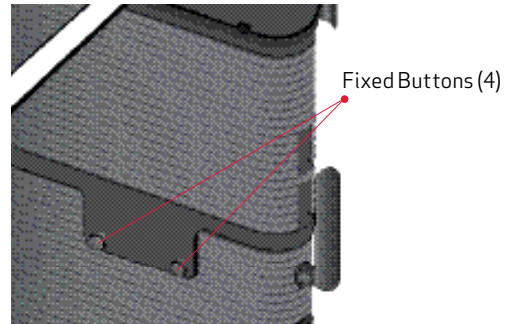


6. Slide the Network Extender into the bottom of the POE Enclosure as shown.

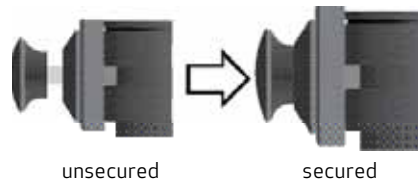


14

7. Align the Fixed Buttons to their corresponding opening alongside the Network Extender.

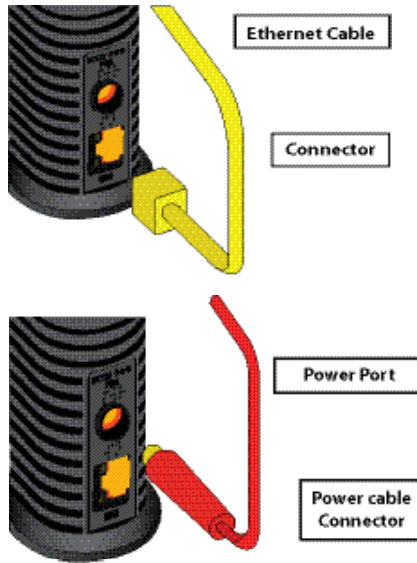


8. Press each Fixed Button until it snaps into its secured position.



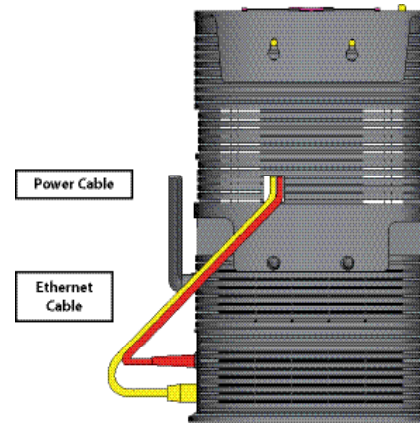
15

9. Connect the Power and Ethernet cable connectors (previously threaded through the side opening) to their corresponding ports on the attached Network Extender.



16

10. Confirm the proper installation of both cables to the attached Network Extender.



17

Fixed Ceiling Bracket Mounting

Confirm you have the following items:

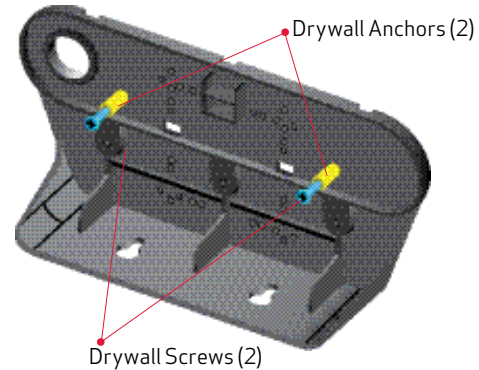
- Drywall Screws (2)
- Drywall Anchors (2)
- Splitter—Top Cover (1)
- POE Splitter (not included)
- Splitter—Enclosure (1)
- Securing Screws (3)
- Cables: LAN, Ethernet, and Power

In environments where the ceiling is part of a standard drywall installation over wooden support beams, use a combination of Drywall Anchors and screws and included Securing Screws to affix the POE Splitter Enclosure to this surface.

Drywall Ceiling Installation

1. Create an opening on the ceiling that will be used to thread the incoming Ethernet cable.
2. Thread the LAN Ethernet cable (from your local network) through the opening in the ceiling and into the cable opening on the Top Cover.

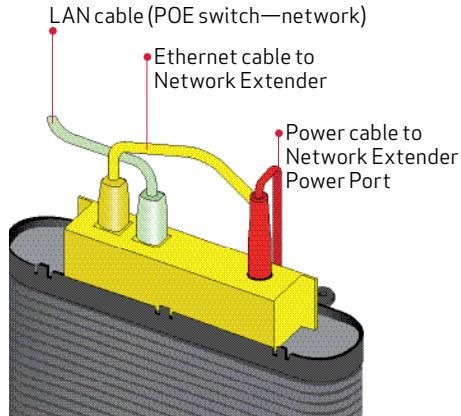
3. Position the opening in the ceiling to match the opening on the top of the cover.
4. Locate and install the Drywall Anchors into the ceiling surface.
5. Align the screw holes between the Drywall Anchors and Top Cover.



NOTE: The Drywall Anchors are inserted after drilling of a fixed ceiling or drywall. After aligning the Top Cover with the opening of the Drywall Anchors, insert the Drywall Screws.

Enclosure and Cable Installation

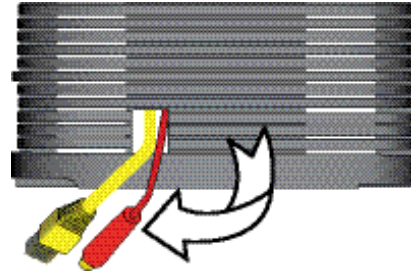
1. Connect all three cables to their corresponding port locations on the POE Splitter as shown.



NOTE: The LAN cable must originate from a POE port on a POE-compatible switch that can pass both power and data through the CAT cable.

20

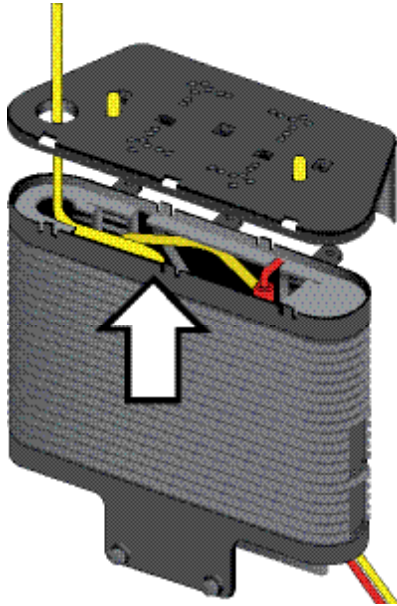
2. Thread the Ethernet cable and Power cable through the Housing and out the bottom cable opening.



3. Insert the splitter component into the Housing.

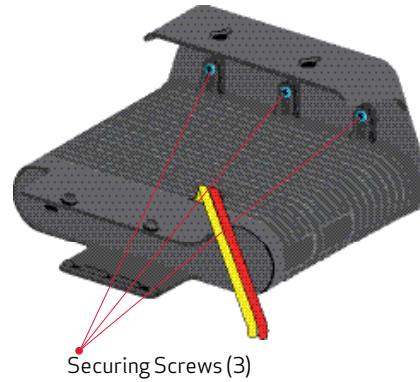
21

-
4. Assemble the POE Splitter to the Top Cover as shown.



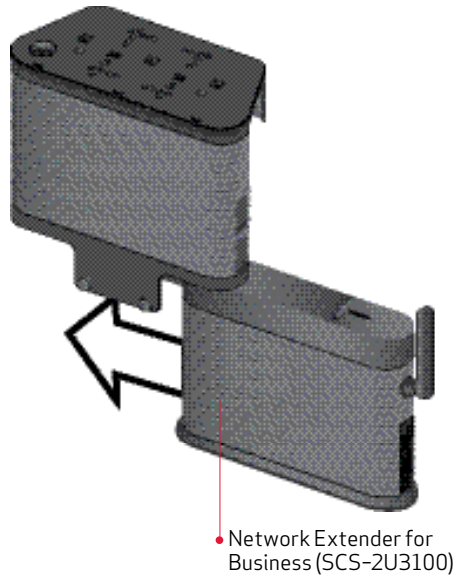
22

-
5. Secure the Top Cover to the enclosure using the three Securing Screws.



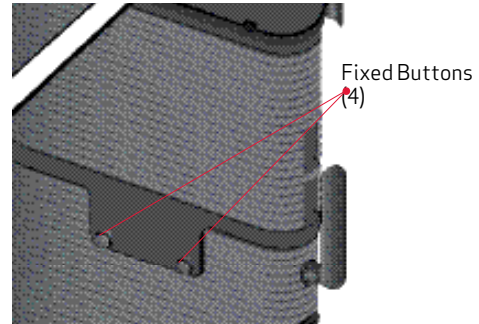
23

6. Slide the Network Extender into the bottom of the POE Enclosure as shown.

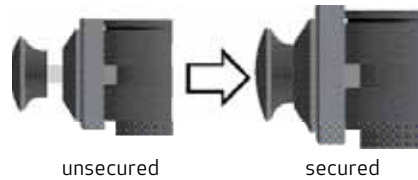


24

7. Align the Fixed Buttons to their corresponding opening alongside the Network Extender.

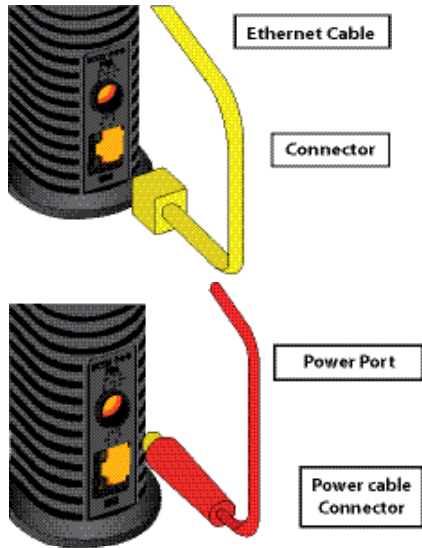


8. Press each Fixed Button until it snaps into its secured position.



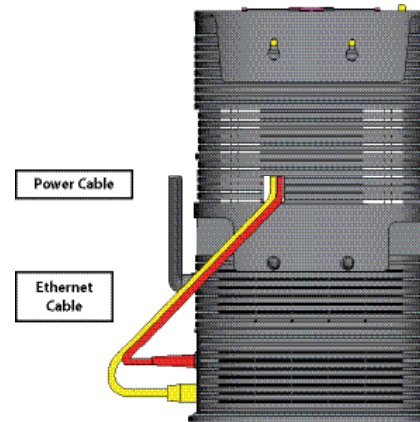
25

9. Connect the Power and Ethernet cable connectors (previously threaded through the side opening) to their corresponding ports on the attached Network Extender.



26

10. Confirm the proper installation of both cables to the attached Network Extender.



27

Wall Bracket Mounting

Confirm you have the following items:

- Drywall Screws (2)
- Drywall Anchors (2)
- Splitter—Top Cover (1)
- POE Splitter (not included)
- Splitter—Enclosure (1)
- Securing Screws (3)
- Cables: LAN, Ethernet, and Power

In environments where mounting this enclosure to a ceiling is not an option, wall mounting then becomes an available option.

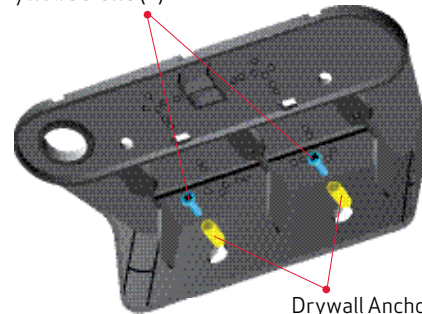
As part of a standard drywall installation, we will use a combination of Drywall Anchors and screws and included Securing Screws to affix the POE Splitter Enclosure vertically to this type of surface.

Wall Bracket Installation Using Drywall

1. Create an opening on the wall that will be used to thread the incoming Ethernet cable.
2. Thread the LAN Ethernet cable (from your local network) through the opening in the wall and into the cable opening on the Top Cover.

3. Locate and install the Drywall Anchors into the wall surface.
4. Align the screw holes between the Drywall Anchors and Top Cover.

Drywall Screws (2)

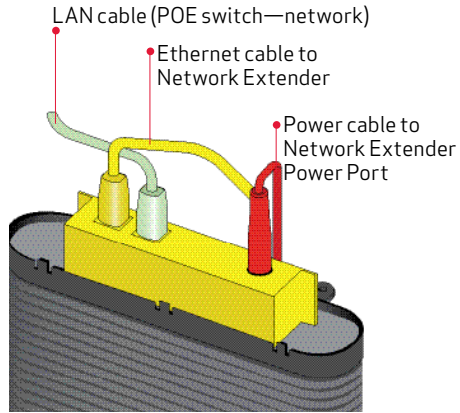


Drywall Anchors (2)

NOTE: The Drywall Anchors are inserted after drilling of a fixed ceiling or drywall. After aligning the Top Cover with the opening of the Drywall Anchors, insert the Drywall Screws.

Enclosure and Cable Installation

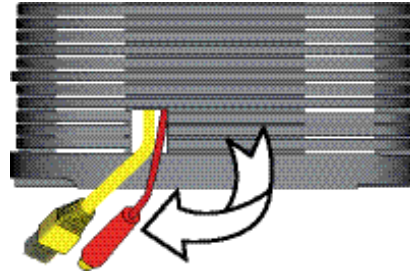
1. Connect all three cables to their corresponding port locations on the POE Splitter as shown.



NOTE: The LAN cable must originate from a POE port on a POE-compatible switch that can pass both power and data through the CAT cable.

30

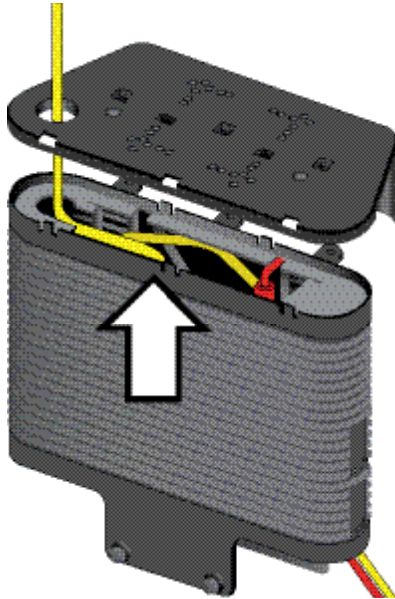
2. Thread the Ethernet cable and Power cable through the Housing and out the bottom cable opening.



3. Insert the splitter component into the Housing.

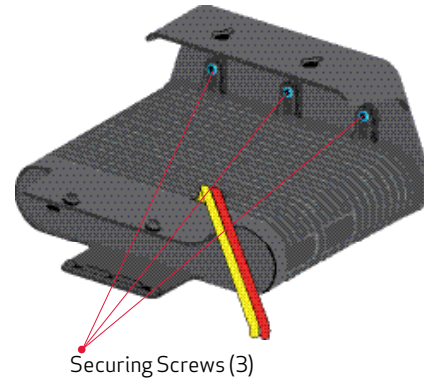
31

-
4. Assemble the POE Splitter to the Top Cover as shown.



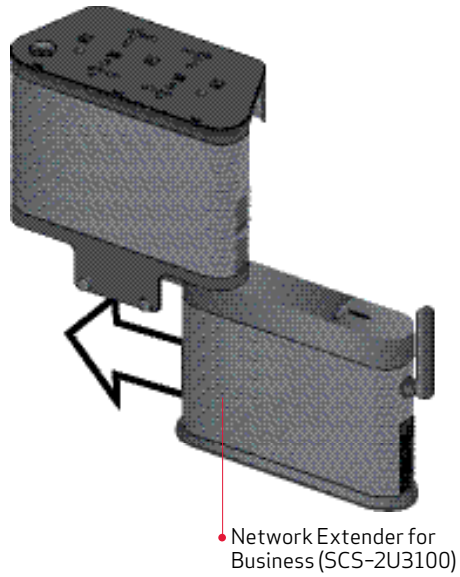
32

-
5. Secure the Top Cover to the enclosure using the three Securing Screws.



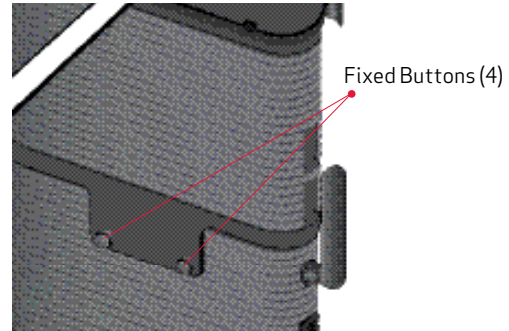
33

6. Slide the Network Extender into the bottom of the POE Enclosure as shown.

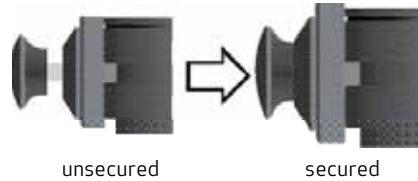


34

7. Align the Fixed Buttons to their corresponding opening alongside the Network Extender.

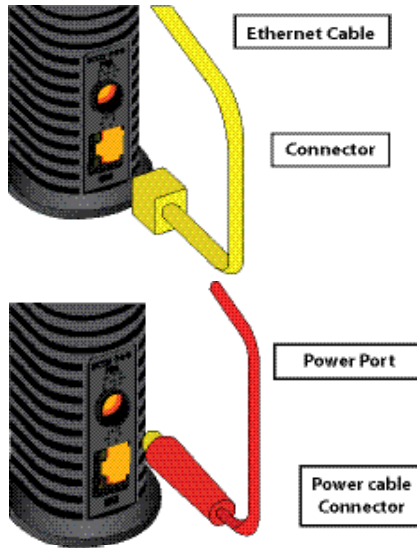


8. Press each Fixed Button until it snaps into its secured position.



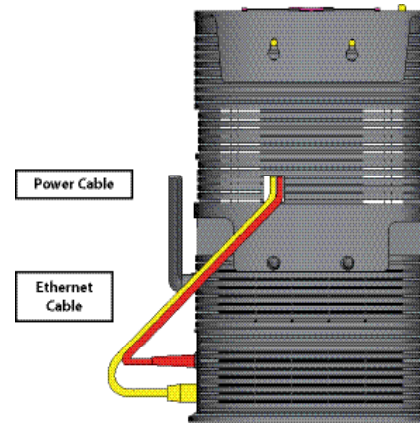
35

9. Connect the Power and Ethernet cable connectors (previously threaded through the side opening) to their corresponding ports on the attached Network Extender.



36

10. Confirm the proper installation of both cables to the attached Network Extender.

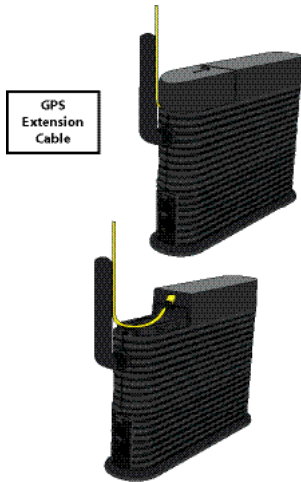


37

GPS Cable Installation

1. Remove the GPS Extension cable cover.
2. Install the connector to the available port.
3. Re-install the cover back onto the Network Extender.

NOTE: For more detailed installation instructions, refer to the External GPS antenna section of the online User Manual.





© 2012 Verizon Wireless. All Rights Reserved. Todos los derechos reservados.